

LINKS

FREE

Volume 20, Issue 11

"The Little Green Paper"

June 05, 2019

Community Links

Linking communities
Increasing knowledge
Expanding horizons
Offering opportunities.

Custom Printing:

Letterhead
Business Cards
Envelopes
Business Forms
Carbonless Forms
Note Pads
Office Supplies
Color Printing
Laminating

Vinyl

Signs, Banners, and License
Plates, Custom T-shirts, caps,
buttons and more!

**Printed and distributed bi-
monthly by persons with
disabilities.**

Editors:

Zia Partovi
Grace Peterson

Data Masters & Sales

Steven Burdick
Bobby Callison
Karen Deffenbaugh
Nikki Hamilton
Eric Peachey
Doug Stone
Breanna McDowell
Stephanie Baker
Heather Conn

Public Relations

Debbie Gray
Alanna Victor
Samantha Peterson

**Assembled at Midco Inc.
Little Green Shop &
Community Links in Chelsea**

Community Links

P.O. Box 85
Chelsea, OK. 74016
1100 Walnut in Chelsea
Phone 918-789-2862
Fax: 918-789-5296
communitylinks1999@
yahoo.com

The History Of Flag Day

The Fourth of July was traditionally celebrated as America's birthday, but the idea of an annual day specifically celebrating the Flag is believed to have first originated in 1885. BJ Cigrand, a schoolteacher, arranged for the pupils in the Fredonia, Wisconsin Public School, District 6, to observe June 14 (the 108th anniversary of the official adoption of The Stars and Stripes) as 'Flag Birthday'. In numerous magazines and newspaper articles and public addresses over the following years, Cigrand continued to enthusiastically advocate the observance of June 14 as 'Flag Birthday', or 'Flag Day'.

On June 14, 1889, George Balch, a kindergarten teacher in New York City, planned appropriate ceremonies for the children of his school, and his idea of observing Flag Day was later adopted by the State Board of Education of New York. On June 14, 1891, the Betsy Ross House in Philadelphia held a Flag Day celebration, and on June 14 of the following year, the New York Society of the Sons of the Revolution, celebrated Flag Day.

Following the suggestion of Colonel J Granville Leach (at the time historian of the Pennsylvania Society of the Sons of the Revolution), the Pennsylvania Society of Colonial Dames of America on April 25, 1893 adopted a resolution requesting the mayor of Philadelphia and all others in authority and all private citizens to display the Flag on June 14th. Leach went on to recommend that thereafter the day be known

as 'Flag Day', and on that day, school children be assembled for appropriate exercises, with each child being given a small Flag.

Two weeks later on May 8th, the Board of Managers of the Pennsylvania Society of Sons of the Revolution unanimously endorsed the action of the Pennsylvania Society of Colonial Dames. As a result of the resolution, Dr. Edward Brooks, then Superintendent of Public Schools of Philadelphia, directed that Flag Day exercises be held on June 14, 1893 in Independence Square. School children were assembled, each carrying a small Flag, and patriotic songs were sung and addresses delivered.

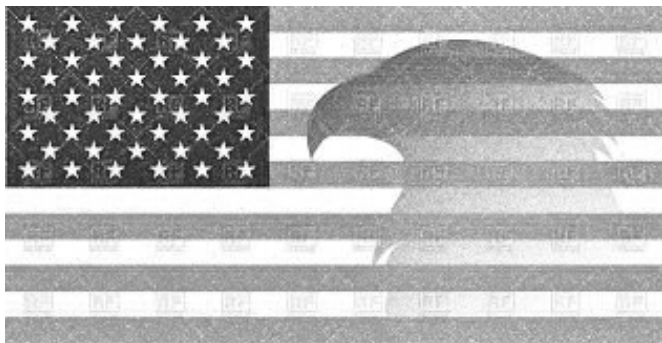
In 1894, the governor of New York directed that on June 14 the Flag be displayed on all public buildings. With BJ Cigrand and Leroy Van Horn as the moving spirits, the Illinois organization, known as the American Flag Day Association, was organized for the purpose of promoting the holding of Flag Day exercises. On June 14th, 1894, under the auspices of this association, the first general public school children's celebration of Flag Day in Chicago was held in Douglas, Garfield, Humboldt, Lincoln, and Washington Parks, with more than 300,000 children participating.

Adults, too, participated in patriotic programs. Franklin K. Lane, Secretary of the Interior, delivered a 1914 Flag Day address in which he repeat-

ed words he said the flag had spoken to him that morning: "I am what you make me; nothing more. I swing before your eyes as a bright gleam of color, a symbol of yourself."

Inspired by these three decades of state and local celebrations, Flag Day - the anniversary of the Flag Resolution of 1777 - was officially established by the Proclamation of President Woodrow Wilson on May 30th, 1916. While Flag Day was celebrated in various communities for years after Wilson's proclamation, it was not until August 3rd, 1949, that President Truman signed an Act of Congress designating June 14th of each year as National Flag Day.

DATA MASTER: Karen Deffenbaugh



How Do You Discard a Faded American Flag?


The traditional disposal method for an American flag is a ceremonial destruction by fire. Veterans' organizations have specific rituals for this process. They occasionally collect worn flags and hold public events to destroy them.

The American Legion adopted a lengthy official unserviceable flag ceremony in 1937. Held outdoors, it involves very particular placement of Legion officers and a series of formal pronouncements. Each flag is inspected by the Post Commander and then presented to be destroyed. The Chaplain reads a prayer and the Color Guard takes up a position next to the pyre. As the flags burn, a bugler plays the song "To the Colors." The flame is maintained until the materials are completely consumed. No scrap of fabric should be left.

The Veterans of Foreign Wars offers a simpler plan that can be carried out at home. The flag should be properly folded and then placed on a sufficiently large fire to fully consume the faded banner. Recommendations to commemorate the event include reciting the Pledge of Allegiance, saluting or maintaining a brief moment of silence.

Flags should be retired when they are torn, frayed, faded, defaced or otherwise marred. The flag is considered a symbol of the United States. Treatment and etiquette of the flag is governed by the U.S. Flag Code.

DATA MASTER: Steven Burdick



LaCoe And Sons
Automotive

106 S Mayes P.O. 771
Adair, Ok 74330

918-785-4144

If it has wheels, we'll fix it.

Hice LaCoe owner Jeremy LaCoe manager

A Beautiful Gift of Love



I recently came across this beautiful story of love and sacrifice that one person did for another. It makes me wonder...how many of us would sacrifice something so dear to us for the benefit of someone else. This little story tells us of an individual who did just that!!

“Can I see my baby?” the happy new mother asked.

When the bundle was nestled in her arms and she moved the fold of cloth to look upon his tiny face, she gasped. The doctor turned quickly and looked out the tall hospital window. The baby had been born without ears.

Time proved that the baby’s hearing was perfect. It was only his appearance that was marred. When he rushed home from school one day and flung himself into his mother’s arms, she sighed, knowing that his life was to be a succession of heartbreaks.

He blurted out the tragedy. “A boy, a big boy ... called me a freak.”

He grew up, handsome for his misfortune. A favorite with his fellow students, he might have been class president, but for that. He developed a gift, a talent for literature and music. “But you might mingle with other young people,” his mother reproved him, but felt a kindness in her heart.

The boy’s father had a session with the family physician. Could nothing be done? “I believe I could graft on a pair of outer ears, if they could be procured,” the doctor decided.

Whereupon the search began for a person who would make such a sacrifice for a young man. Two years went by.

Then, “You are going to the hospital, Son. Mother and I have someone who will donate the ears you need. But

it’s a secret,” said the father.

The operation was a brilliant success, and a new person emerged. His talents blossomed into genius, and school and college became a series of triumphs. Later he married and entered the diplomatic service.

“But I must know!” He urged his father, “Who gave so much for me? I could never do enough for him.”

“I do not believe you could,” said the father, “but the agreement was that you are not to know ... not yet.” The years kept their profound secret, but the day did come ... one of the darkest days that a son must endure. He stood with his father over his mother’s casket.

Slowly, tenderly, the father stretched forth a hand and raised the thick, reddish-brown hair to reveal that the mother had no outer ears.

“Mother said she was glad she never let her hair be cut,” he whispered gently, “and nobody ever thought Mother less beautiful, did they?”

Remember: Real beauty lies not in the physical appearance, but in the heart. Real treasure lies not in what that can be seen, but what that cannot be seen. Real love lies not in what is done and known, but in what that is done but not known.

DATA MASTER: Doug WM Stone



Dads Joking

Dad asks me, have you heard about the new movie constipation?

I was all like, what? No.

And he said, it never came out.

"My dad does this every time we go out to eat.

Waitress: Sees that dad hasn't eaten all his food 'Do you want a box for that?'

Dad: 'No, but I'll wrestle ya for it!'" — mikeinbox

"Every time I hurt myself, even to this day, my dad says, 'The good news is..it'll feel better when it quits hurting.'" — Kiitchh

"Waitress: 'And here's the check. Is there anything else I can get you?'

Dad: 'Someone to pay the check?'" — Nadiime

"Dad: 'Did you know that all the people who live around here aren't allowed to be buried in that cemetery?'

me: 'Really? why not?'

dad: 'Because they're not dead yet.'" — Mr_Katanga

"Me: 'Be careful standing near those trees.'

My daughter: 'Why? The sky is clear, there's no chance of lightning.'

Me: 'I don't know really, they just look kind of shady to me.'" — Big_oil

"How can you tell if a ant is a boy or a girl? They're all girls, otherwise they'd be uncles." — ulyssessword

"Waitress: careful, that plate is hot!"

Dad: 'It's ok, so am I.'" — Nadiime

DATA MASTER: Heather Conn



Father's Love An Ultimate Story of Love and Sacrifice



I am a father of a couple of awesome children. I love them very much and I would do anything for them. I am sure any parent would do anything to make their children happy, to protect them and to give them the best life that they could have. Today's story is probably the most touching story of love that a parent could give a child that I ever found...so far. You may need a box of tissues for this short story.....

One day an 11-year-old girl asked her daddy," what are you going to get me for my 15th birthday?"

Her father replied," Please wait, there is much time left."

When the girl was 14 years old, she fainted and was rushed to the hospital. The doctor came out and told her dad that she had a bad heart and that she was probably going to die.

When she was lying in the hospital bed, she said softly, "daddy... have they told you that I am going to die?" The father replied; "no, you are going to live" as he left her room weeping.

She asked, "how can you be so sure daddy?" He turned around from the door and said" because...I know."



A short time later she turned 15. After she was released from the hospital and recovering she came home to find a letter on her bed which read..." My dearest daughter, if you are reading this letter it means that everything went well, just as I told you it would. A little while ago you asked me what I was going to give you for your 15th birthday. I didn't know then, but my present to you was MY HEART."

Her Father Had Donated His Heart!

“Greater love hath no man than this...that a man lay down his life for his friends.”

Life is AWESOME! Enjoy EVERY moment!

DATA MASTER: Karen Deffenbaugh



Chelsea Gun & Pawn

1101 Walnut St
Chelsea, OK 74016
(918) 789-5000 or (918) 789-3379

Dennis Hoskins
dennis@generalstorepawn.com



CHELSEA

FAMILY PHARMACY

THE PHARMACY THAT CARES

600 Walnut * Chelsea
918-789-2241
Email: chelseafp@sbcglobal.net
www.chelseafamilypharmacy.com
Joe Forcum, D. PH
Wendy Forcum

June Days Uprising

The June Days uprising was an uprising staged by the workers of France from 23 to 26 June 1848. It was in response to plans to close the National Workshops, created by the Second Republic in order to provide work and a source of income for the unemployed, albeit with pay just enough to survive. The National Guard, led by General Louis Eugène Cavaignac, was called out to quell the protests. Things did not go peacefully and over 10,000 people were either killed or injured, while 4,000 insurgents were deported to Algeria. This marked the end of the hopes of a "Democratic and Social Republic" and the victory of the liberals over the Radical Republicans.

Background

During this time, France was in a period of internal turmoil and had gone through many revolutions, such as those of July 1830 and the February 1848. A provisional government, called the Second Republic, was declared after the abdication of Louis Philippe in February. This was a democratic republic and immediately democratic reforms were being enacted, including universal male suffrage. To combat unemployment, the National Workshops were created which provided jobs and wages. These Workshops were a tremendous success attracting many unemployed persons; however, to fund these Workshops new taxes were applied to lands. This alienated land owners, among them peasants, from the provisional government as they did not like the idea of paying money so that the unemployed could have the "right to work". As a result, these land taxes were not adhered to, causing a financial problem for the Second Republic.

On 23 April 1848, the French people elected a mainly moderate and conservative constituent assembly; this angered radicals in Paris, who saw this as contrary to their vision. The radicals invaded the assembly, as they believed that their democratic republic was being eroded away. This action was quickly thwarted; however, it sparked fear in conservatives, who were becoming a parliamentary majority. Soon, the conservative majority closed down the National Workshops, which sparked three days of bloody unrest.

Uprising

On 23 June, the Comte de Falloux's committee issued a decree stating the Workshops would be closed in three days and that the options were that young men could join the army, provincials could return home or they could simply be dismissed. The anger surrounding the closing of the Workshops increased, and shortly after that, the uprising began. In sections of the city, hundreds of barricades were thrown up which blocked

communication and reduced the mobility of persons. The National Guard was called out to halt rioting; this sparked fighting once the guard and protesters clashed.

The labourers had now become insurgents and were breaking stones to use as barricades. The numbers of military members were estimated to be over 40,000; however, the number of insurgents was estimated to be higher and was growing as they traveled from house to house recruiting other citizens to join them, threatening them with death if they refused. The insurgents also seized many armories to gather weapons.

By 26 June, the revolution was over, and more than 10,000 people were either killed or injured, including about 1,500 troops and about 3,000 insurgents killed. Furthermore, over 4,000 insurgents were deported to Algeria. After the insurgents were crushed, all ideas of a revolution were abandoned.

Aftermath

The French Constitution of 1848 was adopted, stating that executive power should be wielded by a President of the Republic and that the people should elect this president every four years. Once a president was elected he would have the power to appoint Ministers and other high-ranking officials. The constitution provided provision for an Assembly of 750 legislators who were to be elected by the people every three years. After the constitution was enacted, elections were held and Louis-Napoleon Bonaparte was elected. After three years in power, Bonaparte staged a coup d'état, extending his mandate for ten years; he went on to establish the Second French Empire.

DATA MASTER: Heather Conn

**Chelsea
Tag Office**
336 W. 6th * Chelsea, OK.
789-2332
Open Monday thru Friday
9am to 12pm 1pm to 5pm
and 9am to 12 pm Saturday
Marie White Agent

One More Time Daddy?



While at the park one day, a woman sat down next to a man on a bench near a playground. “That’s my son over there,” she said, pointing to a little boy in a red sweater who was gliding down the slide. “He’s a fine looking boy” the man said. “That’s my daughter on the bike in the white dress.”

Then, looking at his watch, he called to his daughter. “What do you say we go, Melissa?” Melissa pleaded, “Just five more minutes, Dad. Please? Just five more minutes.” The man nodded and Melissa continued to ride her bike to her heart’s content. Minutes passed and the father stood and called again to his daughter. “Time to go now?”

Again Melissa pleaded, “Five more minutes, Dad. Just five more minutes.” The man smiled and said, “OK.” “My, you certainly are a patient father,” the woman responded.

The man smiled and then said, “Her older brother Tommy was killed by a drunk driver last year while he was riding his bike near here. I never spent much time with Tommy and now I’d give anything for just five more minutes with him. I’ve vowed not to make the same mistake with Melissa. She thinks she has five more minutes to ride her bike. The truth is, I get Five more minutes to watch her play.”

Life is all about making priorities, and family is one and only priority on top of all other, so spend all time you can with loved ones.

Claremore Nursing Home - Employee of the Month



Patricia Phillips came to work at Claremore Nursing Home in May 2018 as a CNA. She was born in Inola, OK on October 10th, 1987. Currently not married but has two amazing children. She has been a CNA for 10 years. What she loves about our Home are the residents, "They're my family."

If you would like to join, "Patricia Phillips" as a Certified Nurse Aide, please apply in person. Now taking applications for Certified Nurse Aides both days and nights. Must pass a background check. New pay scale for CNA's.

"They may forget your name, but they will never forget how you made them feel."

Maya Angelou

Claremore Nursing Home
920 E. 16th St.
Claremore, Ok. 74017
918-341-1717

Proudly Accepting: **SOONERCARE & MEDICAID**



HAPPY TOOTH
Jonah R.B. Vandiver, DDS & Associates

TOOTH-COLOR FILLINGS
RELAXING GAS • CLEANINGS
EXTRACTIONS • SEALANTS
X-RAY/EXAMS • EMERGENCIES
NEW Patients Welcome!
We love working with both children & adults.



HappyToothOK.com

900 E. Will Rogers Blvd, Suite A • CLAREMORE **341.6900** 7104 S. Sheridan Suite B • TULSA **492.8793**

Some Dad Stories

“My sister and I thought our dad was humoring us by laughing when we tried to tickle him, but we were wrong. One day we hit an extra sensitive spot and chased him out of the house wearing only his briefs. He never let us tickle him again!” — Lori Seto

“When I was a child, my mom worked Saturdays, so it was mine and my sister’s special day with our dad. My sister and I had a made-up restaurant, using our play kitchen, and we’d beg our dad to come be a customer. He’d purposely order bizarre things to get a rise out of us, like frogs’ legs. We still laugh about it today!” — Alexa Speyer

“My dad could sew. Once, when I was home for a friend’s wedding, the beaded straps of my dress popped off as I was sitting down in the car. He grabbed two pieces of black elastic from his sewing kit and whipstitched some makeshift straps on in about 15 minutes. We weren’t even late.” — Elizabeth Passarella

“In the summertime my dad would take me and my brother to an old drive-in theater. I never minded that the dialogue was sometimes staticky over the radio or that my rom-coms were outvoted with action movies. I was just happy we were together.” — Brandi Broxson

“When I was about 5 or 6 and growing up in northern Florida my dad and I went to Disney World without my mom. We arrived at the hotel fairly late and I was very sleepy, but we needed to get some dinner. Seeing how tired and grumpy I was, my dad made us a dinner out of snacks at the vending machine and let me eat in bed and fall right to sleep. It felt so decadent and naughty. And it was the best night of sleep I think I’ve ever had.” — Westry Green

“At the ripe old age of 21, I was going through my first major breakup. I was a mess—I drove 24 hours home to ‘heal.’ Healing to me was treating my mom like a therapist, breaking into random tears, and slumming around the house. Eventually my poor mom had had enough and sent me over to visit my dad. My dad is a quiet man—he speaks very broken English and grew up in a world much different than mine. I speak broken Spanish, so we’ve always had a bit of a language barrier. Through tears, I explained what happened. To my surprise, my dad burst into laughter and told me that the guy was a jerk. He offered me a beer—the first beer we’d ever had together—and assured me that the first heartbreak is always the hardest. He was right.” — Christina Nava

“When I was going through my college applications

and I told my parents I wanted to major in fashion design, my mom said ‘No, you can’t do that with one hand,’ and my dad was the one who said ‘Yes she can!’ Thanks to that encouragement I went on to study fashion design in New York.” — Victoria Sanchez-Lincoln

“From analytical essays in high school to term papers in college, my dad has always been my go-to editor—even as I continue to pursue a career in journalism myself! He has a way with words and his insightful academic (and personal) advice is something I will always cherish.” — Sydney Hershman

“When I was little my dad and I both loved to swim, and when we would go on family vacations we would both immediately head to the pool. He had this trick that I loved where he would hold my feet close to the surface of the water so that I could ‘walk on water.’ I thought it was the most magical thing and would ask to do it repeatedly for hours on end. He was a good sport!” — Emily Kinni

“When I was little my Dad would sometimes sing the song ‘Sweet Baby James,’ by James Taylor, to me as a lullaby before falling asleep. And once or twice he even played guitar along with it. I loved it so much that I chose it for our father-daughter dance at my wedding 12 years ago, and now I sing it to my boys as a lullaby. It will always be our song.” — Naomi Lindberg

DATA MASTER: Doug WM Stone

“When we first moved to the U.S., my father taught group painting classes at our home on the weekends as a side gig. The students were all teenagers. Though I was only around 4 or 5 years old, my father would always set up a spot for me to paint with the group so that I was included. We didn’t have very much space in the apartment, so he built me a bunk bed from scratch that had a ladder, a monkey bar, and a little workstation underneath so that I always had my own place to create.” — Dina Ravvin

“There is so much to love about my dad, but I think what I love most is his silly sense of humor. I still remember him answering the phone at our house by saying, ‘Domino’s Pizza!’ The person on the other line was inevitably confused, sometimes hung up, and he laughed hysterically every single time.” — Sam Zabell

“My dad always went out of his way to make our birthday parties special. One year, he hid the presents from my sister and me, prank-called us and told us they had been stolen, then sent us on a scavenger hunt

with our party guests to find them!” — Grace Elkus

“When my mom was at work and my dad was on the night shift, he’d be in charge of doing my (super curly) hair in the morning. I wanted a Topsy Tail so badly, so my dad made one for me, using duct tape and a piece of plastic from a brown hanging basket. It worked perfectly.” — Heather Muir

“My dad has a very serious job as an oncologist but always lets his silly side show with his kids. Growing up, he loved to invent crazy games meant to spark our imaginations. One of my favorites: He would tell me we were ‘part dog,’ going back many generations. Before bed, he’d first read my favorite stories in English and then he’d ‘bark’ them to me. To this day, we still speak ‘bark’ to each other—our own secret language. Ruff ruffs ruff, Ruff! (Happy Father’s Day, Dad!)” — Laura Schocker

“My parents got divorced in the mid-1980s when I was a teenager. My father desperately wanted me to feel at home in his new place so he hung a LIFESIZE (I’m not exaggerating) poster of Bruce Springsteen—sitting on the hood of a car, his biceps bulging out of his muscle T-shirt—in his new apartment.” — Lori Leibovich

“In sixth grade, the cool experimental public school my parents had jumped through hoops to get their five kids into closed, and we were all shipped to a super-strict school down the road. When the first test was about to happen, I really had no idea how to study. I was in tears. My father made me a chart and showed me how to memorize the facts and test myself. Not only did he take the fear out of studying, but he also made it fun. I’ll never forget the sense of relief and comfort that gave me.” — Danielle Claro

“Although my dad worked crazy hard when we were little, when he was off, he was totally ours—taking us hiking, bike riding, horse-back riding—and was a captive audience, attending our pretend schools or churches, or letting us put a thousand little barrettes in his (then-thick) hair while he was watching the news.” — Sarah Copeland

DATA MASTER: Breanna McDowell

John's Body Shop

Collision Repair Professionals
Excellent Color Matching
Unibody And Frame Repair
Glass Replacement
Insurance Claims Welcome
johnsbodysop85@att.net
918 789-3184



Chelsea
Johnny Parks
We Repair It Right The First Time



Amish Cheese House

BULK FOODS CHEESES
MEATS

FULL SERVICE DELI

- Jellies, Candies & Jams
- Sugar Free Products
- Spices & Baking Items
- Cheese & Meat Trays
- Gift Boxes
- Kitchen Accessories

Mon - Fri: 9:30a.m. to 6p.m. / Sat: 9a.m. to 5p.m. / Sun: Closed

Wes & Leah Miller
Highway 69 North 918-476-4811 Chouteau, OK 74337

Telebank: (918) 476-BANK



Time & Temp: (918) 478-4666
(918) 476-8317

BANK OF AMERICA

P.O. Box 849
215 West Main Street
Chouteau, OK 74337

Fax: (918) 476-8300
www.chouteauboc.com

LOBBY HOURS	DRIVE-IN HOURS
Mon-Fri.....9:00-2:30	Mon-Fri.8:30-6:00
Fri. Evening.....4:00-6:00	Saturday.....8:30-12:00
Saturday.....9:00-12:00	

Some Silly Days of June

Dare Day- a Challenging Day

Date When Celebrated : Always June 1

Dare Day is a day to challenge someone, and to do a dare yourself. It's a day that daredevils truly relish. Today is definitely a call to action. It is not a day for procrastinators or for hesitation.

Dares take all forms and shapes. The type of dare is almost limitless. Whether it is a prank, a challenge to accomplish something, or a personal action (like asking someone out on a date), this is the day to make the dare. And, it's the day to do the dare.

Daring to the max: To dare someone to do something risky or challenging is one thing. Declaring the "double dog dare" heightens the challenge. The highest degree of challenge is to "triple dog dare" someone. It should not be used lightly, or frequently.

The most important DARE: We believe the most important dare is the D.A.R.E. (Drug Abuse Resistance Education) program.

Flip a Coin Day

Date When Celebrated : Always June 1

Flip a Coin Day is a day when making decisions is as easy as flipping a coin. This tradition dates back to Julius Caesar. Caesar would take a coin and flip it to make decisions where the right choice was unclear. The correct answer was "heads", which of course carried his image on the coin.

Do you have any idea how to celebrate this day? You guessed it...Flip a coin. Use this method of decision making for all decisions, and for everything you do today.

National Trails Day

Date When Celebrated : Always the First Saturday in June

Happy Trails to you!!!!

National Trails Day is established to celebrate, improve and enjoy America's magnificent trail system. It is the nation's largest celebration of trails, and all that goes with it. In addition to the national trail system, there are countless miles of state, county and local town trail systems for you to enjoy. While today is a celebration of national trails, it is perfectly fine to cele-

brate all trails in our great nation.

Trail systems are enjoyed for a wide range of activities, including:

Hiking

Biking

Horseback riding

Bird watching

Geocaching

Many other activities.

How to Celebrate National Trails Day

There are any ways to celebrate this special day. Here are a few ideas:

Get out on a trail with family or friends. Enjoy a wonderful time with nature.

Host an event - a bike ride or hiking event on your local trail.

Organize and conduct a trail improvement project - Scouts and many other groups can do important service projects, improving a local trail. Important: This requires permission from the government organization that oversees the trail.

National Bubba Day

Date When Celebrated : Always June 2

National Bubba Day honors anyone named or called Bubba. To qualify to be honored today, your name can be formally, or informally "Bubba". You can even take on the name "Bubba" for just the day. That way everyone can celebrate this day.

There's a lot of ways to celebrate National Bubba Day. Acting like a "Bubba" is your starting point. Cards, parties and other celebrations are definitely in order. Gift giving is optional.

Did you Know? Bubba is the Yiddish word for grandmother

Famous Bubba: A character in the movie Forrest Gump made the name "Bubba" infamous.

National Rocky Road Day

Date When Celebrated : Always June 2

National Rocky Road Day is all about eating ice cream..... specifically Rocky Road ice cream.

Want to make your own Rocky Road Ice Cream? Just add nuts (almonds and/or pecans), mini marshmallows, and chunks of semisweet chocolate to your favorite ice

cream recipe. Today would be the perfect day to make, and certainly eat, a batch of Rocky Road ice cream.

If you aren't into making ice cream, or just don't have the time, you can buy Rocky Road ice cream at any grocery store. Or, visit your favorite ice cream store for a cone (large today).

Hug Your Cat Day

Date When Celebrated : June 4

Today is Hug Your Cat Day. Go ahead and give your cat a big, furry hug.

Cat lovers can really get into this day. If you're a cat lover, you can really appreciate the warm, cozy feeling you get when you curl up on a couch or chair, and hug your cat. The only problem is, your cat will most likely only allow a brief hug before sauntering away. If your cat is a true hugger, count your blessings.

Dog lovers...sorry, but hugging your dog will not suffice. If you are going to be "into" this day, you simply must hug a cat...your cat.

You don't have a cat? You can correct this today. The month of June is "Adopt a Cat Month".

DATA MASTER: Breanna McDowell



DUTCH PANTRY

BUFFET & BAKE SHOP
Craft Items Available

**HOURS: Thurs. - Sat. - 8:00am - 9:00pm
Mon., Tues. & Wed. - Until 8:00pm**

918-476-6441

Main & Railroad
Chouteau, Ok 74337

VERNON DETWEILER



WINCHESTER ADVISORY CENTER
FULL LINE BROWNING DEALER

BILL'S SPORTING GOODS

*Archery • Black Powder • Ammo
Guns • Reloading*

MON - SAT 9-6
1016 S. LYNN RIGGS 918-341-5388
CLAREMORE, OK 74017 FAX 918-341-8449

www.billssportinggoodsok.com



Cherry's


Chouteau Mall

Antiques. Collectibles. & Primitives

704 S. Chouteau Ave.,
(Hwy 69 - 1 Mile North of Hwy 412)
Chouteau, OK 74337-2815

918-476-8858
email: cherrysmall@fairpoint.net
Open Daily 10-6

***** We buy one piece or entire Estates *****



OIL & PROPANE CO.

"Rogers County's oldest name in propane"

CARY FROMAN
Vice-President

341-4434
Box 1166
Claremore, OK 74018



Truck, Tractor & Auto
Fast Efficient Service

Sam's Tire Shop

Mon-Fri 8 to 5
Sat 8-12
(918) 256-7591
436 S. Wilson
Vinita, OK. 74301-4246

The Love Monster



There are many times throughout of lives that we can lose focus on the most important things in our lives and direct our attention on things that may seem more important. It was once said that the most important things in life aren't seen...the following story is a heartwarming illustration of this idea.

A few summers's ago, a man decided to take his wife and his precious little 5 year old daughter, along with him on a business trip to an exotic land. He had been searching for a job for many months and plans were made to meet an executive of a very well-known company for a job interview. The future looked promising, for the possibility of receiving an offer from the company would give the man and his family financial security for a long time.

The little family arrived at their destination and to their surprise, the hotel in which they were going to stay was on a very beautiful beach...even more delightful and exquisite than they ever imagined.

They quickly changed into their bathing suits, gathered their beach chairs, towels, blankets and umbrella and made their way to the turquoise sea as fast as they could. For the rest of the day, they all laughed and enjoyed themselves splashing in the water, swimming, body surfing and making sandcastles...what a glorious day it was!!!

The next morning, while his family was still sleeping, the man went down to the outdoor café to meet the business executive for the big meeting. Excited and anxious, the father met the company rep and they soon began their discussion....

A short time later, in the hotel, after eating their breakfast, the mother and little girl got ready for another visit to the white sandy beach.

After playing in the water and sand for a while, the little girl told her mom that she needed to use the bathroom. She told her mom that she knew where it was and that she would come right back.

On the way to the restroom, the little girl noticed a big chain-linked fence that had a big sign on it with a picture. It was a picture of a black skull and cross bones with a red circle with a line through it covering the images. On the other side of the fence was a beautiful green pond. She had never seen water so green and it was covered with green stuff which looked like clovers.

"Aren't four leaf clovers lucky?" she thought to herself. "I am going to climb that fence, swim around in that stuff and cover myself from head to toe with that green goop."

Once over the fence and immersing herself in the slimy liquid, she covered herself from head to toe with the green stuff. She grabbed handfuls of the matter and stuffed it into her bathing suit. "Wow! This is fun!" she thought. "I am now the luckiest girl in the whole world!"

Then suddenly, with a smile growing on her little face...she had an awesome plan!

Meanwhile, at the beach, the little girl's mother noticed that her daughter had been gone for much too long, got worried, left the beach and started frantically looking for her. Her fear mounted and grew each minute as everywhere she looked, her daughter just couldn't be found. No one had seen her anywhere.

Suddenly, she heard a scream as she saw her little girl land on the ground in front of the fence of the contaminated pond. The girl got up screaming and made an unusual, creepy sound that touched the deepest part of the mother's heart. As the mother yelled the girl's name, the little child seemingly ignored her mom's calls and started running as fast as she could to the hotel's eating area.

At the café, things were really starting to look very promising for the father. The discussions with the business executive had gone very well and with excitement and expectations growing, his anticipation of finally landing the big job was beyond belief.

All of a sudden, from behind him, he heard his wife calling his little girl's name in a frightened voice and his daughter's terrifying screams and growls approaching him. The look on the executive's face was that of

horror and unbelief as he watched the rapidly approaching creature come up to the father from behind.

Stunned and turning around in his chair the green creature instantly attacked the father, gave him a bone-crushing hug, instantly splattering the green slime all over the executive's Taylor-made suit. The little gremlin started covering him with kisses, and said over and over again, "I love you! I love you! I love you!" "I AM THE LOVE MONSTER!"

The infuriated business executive snarled at the little girl "Alright! That's enough! Your time is over!" Then he barked at the dad, "tell your daughter that her time is over and to leave us alone!!!"

With all of the love and compassion that a father could ever have in his heart, he smiled down at his dear little Love Monster, scooped her up in his arms, then said to the executive...I am sorry sir, but YOUR TIME IS OVER.

And with that, while carrying his beautiful little daughter, took his wife's hand, and walked away...the happiest man in the world.

What are your priorities? What are the important things to you? What are the "things" that make you REALLY happy? The choice is yours!

DATA MASTER: Steven Burdick

WE PRIDE OUR BUSINESS
ON SERVICE & HAVING
PARTS FOR ALL MODELS
OF VERMEER BALERS




Deweze EUBANKS JORGENSON

1-888-833-7042
Service is Our
#1 Priority!

CRAIG EUBANKS
MOBILE: 918-961-8048
443858 E 20 RD.
WELCH, OK 74369

STILLWATER MILLING Co.
A & M
F E E D S
MORE THAN JUST A FEED STORE

721 W. 6th Claremore 341-0933
Open: M-F 8-6 & Sat 8-5



"I am glad a friend told me about..."

**GRAND
PROSTHETICS**
& Orthotics

Lightweight
ARTIFICIAL LIMBS & BRACES

FREE CONSULTATIONS

(918) 786 4626 www.GrandPro.com
5 East 14th St Grove Ok 74344

**4 State
Insurance Agency**

1921 N. Third
Langley, OK. 74350
918-782-0500

14 S. Elliott
Pryor, OK. 74361
918-825-4567

Open 9:00 AM – 5:00 PM. Monday thru Friday
4 All Your Insurance Needs

The Things Money Can't Buy



There is no question that everyone wants to have money and wealth. It is comforting to know that when you have an adequate amount of money, you can enjoy some of the good things in life: good food, good friends, and good times. But there is also a downside of having a lot of money: greed, theft, bad intentions, and, more importantly, a loss of the things that are REAL-**LY** valuable in a person's life.

Today's short story is a terrific illustration of the effects that money and wealth can have on everyone around you. It is not a bad thing to have a lot of money and/or wealth, but what you do with it.

Caha had a big family with 3 daughters, 2 sons, and a beautiful wife. He not only lived with his family but also had his father and mother living with them as well. He was a very hard worker and spent countless hours every day at his job to be able to feed his family. Being the sole bread winner of the family he took pride in all that he did and how much he gave his loved ones.

Caha worked for more than 16 hours a day. His kids didn't see him much. He would leave his home early every morning before the kids woke-up and come home during the late hours of the night when kids were fast asleep. Every day, his entire family eagerly await to spend quality time with him...the kids miss him so much.

Sundays were always the favorite day for Caha's family because it was on those days that he would spend all of his time with them. Unfortunately, to meet the increasing household expenses and educational expenses, Caha decided to accept a weekend job and work even

LANGLEY DRUG

1631 N. 3rd Langley, OK. 74350

918-782-3271

Hours:

Mon-Fri 9:00 am to 6:00 pm

Sat 9:00 am to 1:00 pm

Accept most insurances Medicare part B and D

Julia Brown, Pharmacist

Western Wear * Boots * Tack * Laundry Drop

Langley

Western Store

20x

Cruel Girl

Lawman

Roper

American West

Ariat|Justin|Tony Lama|Lucchese|Minnetonka

HWY 82|Langley, Oklahoma

918-782-2726

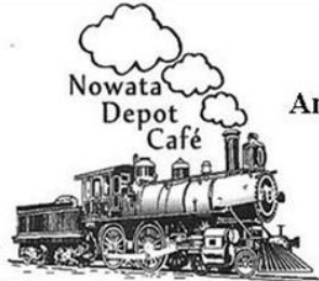
Open 9:30 - 6:00 pm * Closed Sunday

langley_western_store@yahoo.com

P.O. Box 730

1116 N 3rd. street

Lanley, OK 74350



Nowata
Depot
Café

Anthony M. & Lisa K. Gray
Owners

7:00am-3:00pm Sun.
7:00am-8:00pm Mon.-Thurs.
7:00am-8:30pm Fri.
Closed Sat.

127 S. Oak Street
Nowata, OK 74048
918-273-2500

on Sundays. Needless to say, his kids, wife and parents were very disappointed.

Caha's continues this work schedule for a few weeks which soon became a year. After a year, his company was very impressed at all the hard work that he had put into the business and was offered a promotion that had an attractive pay raise and benefits. He gladly accepted it.

Soon, Caha's family moved to a new house, wore better clothes and ate the best food that money could buy. However, as usual, Caha continued his busy workload and earned more and more money.

One day his wife asked him 'Why are you working so hard for money? We can be happy with what we have now.'

Caha replied, 'I want you and our family to have the best things in the world and always be happy.'

Two more years passed and Caha hardly spent time with his family. The children yearned to have their father at home. Meanwhile, the sincere efforts and hard work of Caha earned him a fortune. He was offered partnership and shared in the profits of the company. As time continued to march on, Caha continued to earn more and more wealth.

Caha's family eventually became one of the richest families in the city. They now had a beautiful beach house, fabulous cars, and a plethora of other valuable goods. They had everything that they could ever dream of but there was still a huge vacuum...his children longed and craved for their father to be home with them.

His children eventually grew into their teens and they were no longer kids. By this time, Caha had earned enough wealth to provide a luxurious life for his family for the next five generations.

One day, Caha's family went to their beach house to spend their vacation. One of his daughters asked, 'Dad will you please spend one, just one day at home and stay with us here?'

Caha nodded his head and replied, 'Yes darling, tomorrow for sure, I will join you for the lunch and be with you all for next few days. I'm tired of work and need some relaxation!'

Upon hearing the news, the entire family became very happy and were ecstatic knowing that they were finally going to be spending time with Caha!!

Unfortunately, the next day, in the early morning hours, Caha's entire family perished in a Tsunami that hit the shores of their beach home.

Meanwhile, at his job, Caha was so busy that he didn't hear the news about Tsunami. Later, when he tried to reach his beach house, the only thing he saw was water and debris everywhere. He screamed and called out for his family, but he never did find anyone from his family. He was totally alone. Caha knew that he can never have them back or see them again. All the money, the millions of dollars that he had earned, could never bring them back.

Then he remembered his wife's words, 'Why are you working so hard for money? We can be happy with what we have now.'

Like I mentioned previously, money can't buy everything. We all need to remember that the most important and valuable things in life are the things that are unseen. Take time each day to give your loved ones a simple hug, a loving kiss, and tell them how much you love and care for them...because these are the things that money will never be able to buy!

DATA MASTER: Eric Peachey

**Reid's Discount Pharmacy
& Compounding Lab**



**206 S. Ash
Nowata, OK**



918-273-0433

What IT Means To Be A Dad (To Me)



Twenty three years ago, the Lord decided to bless me with the first of my two sons. Needless to say, I have enjoyed every second of my life being a father and, most importantly, a dad to my boys. To be able to be a good example of the Lord, give Godly advice, and love them unconditionally is the best gift that I could ever be to them.

In my opinion, being a REAL dad is so much more than just saying that I am one...it is showing my children how much I love them by the things that I do with them and way that I show them my love. It's sacrificing the time I have and things that I want to do...for them. Being a good dad is not about "what am I receiving from my kids" but what can I do for them?"

There are so many things that I have done with my boys which have given me an incredible sense of fulfillment and satisfaction...things like...

Fishing at the beach

Camping in the Adirondacks

Swimming in grandma's pool

Hiking many trails and National Parks

Praying together and teaching them how to pray

Reading Bible Stories to them

Talking with them about life's lessons

Going on vacations together

Getting them ready for college

Canoeing down the Colorado River and sleeping under the stars for 3 days

Coaching them in recreation soccer, basketball and

baseball

Cheering and encouraging them at their football and soccer games

Smiling and laughing at each other's jokes, humor and foolishness

Going to the zoo

Making homemade pizzas

Enjoying outdoor BBQ's

Going to the beach, body surfing and fishing

Kayaking

...and the list goes on and on.

I think a REAL man loves his family and children and places them as the most important thing in life. There is NOTHING that has brought me more contentment and peace in my life as my family. Simply being a loving dad and husband is the most rewarding feeling I can ever have.

You see and you have to understand...Any guy can be a father but not every guy can be a dad!!

DATA MASTER: Nikki Hamilton





Getting to know the Lutherans

Special Day

God planned a perfect Paradise – no pain and no death. But sin ruined it and tore us away from God. We were all doomed to eternal death. Only a sinless existence could save us, but that is impossible. We sin daily and condemn ourselves over and over.

We had no hope until God's merciful kindness. He, in Christ, came to pay the supreme price for each of us. Through His grace and love, He endured physical pain and death for us. Then, on the special day of His resurrection, He sealed our futures and gave us the assurance of our own resurrection from death. We no longer need fear death.

Let's share this great joyful news of this special day with everyone! Because of this special day, Christ's resurrection from the dead, we are the final victors. We will live with Him forever.

DATA MASTER: Eric Peachey

<p>Messiah Lutheran Church 460 N. Wilson, Vinita, OK. Sunday School and Bible Class 9:00 a.m. Worship 10:00 a.m. 918-256-3223 Email: messiahvinita@aol.com</p>	<p>St. Paul Lutheran Church Washington and Pine, Fairland, OK. Sunday School and Bible Class 9:15 a.m. Worship 10:30 a.m. 918-676-3059 Email: stpaulluthch@aol.com</p>
<p>Bethlehem Lutheran Church 6911 West 380 Road, Adair, OK 74330 Worship 9:00 a.m. 918-785-2994 Sunday School and Bible Class 10:15 a.m.</p>	<p>Immanuel Lutheran Church 706 Rockwood Drive, Grove, OK. Worship 9:30 a.m. 918-786-4585 Website: www.lutheransonline.com/lo/Groveok</p>
<p>Mt. Olive Lutheran Church 2337 North Main, Miami, OK 74354 Worship 2:00 p.m. (918) 542-4681 Sunday School and Bible Class 3:00 p.m. Email: mtolive@cablone.net</p>	<p>Redeemer Lutheran Church 220 N. Seminole, Claremore, OK. Sunday School and Bible Class 9:00 a.m. Worship 10:30 a.m. 918-341-1429 Email: rluther@sbcglobal.net – Website www.rlccok.org</p>
<p><i>Guests are always welcome. See you Sunday at worship.</i></p>	<p>St. John Lutheran Church 607 SE 9th Street, Pryor, OK. Sunday School and Bible Class 9:15 a.m. Worship 10:30 a.m. 918-825-1926 Email: stjohncpyor@sbcglobal.net - Website: www.stjohncpyor.org</p>

Up-coming Events

TOPS #570 We meet 9am to 11am Monday morning at Mt. Olive Lutheran Church in Miami 2337 N. Main St. "Taking off pounds sensibly!"

TOPS #567 meet every Thursday at 10am 433 N Mississippi in Nowata.

TOPS #506 in Miami Heavenly Winds Worship Center meet every 6pm Monday evening. For more info call Susan Walls at 918-540-0570

Every 4th Saturday of the month Veteran's Support Group: Veterans for Veterans. Have you served in the military? Are you struggling with readjustment? Anxious about the future? Struggling to connect with friends and family? Struggling with school? WE CAN HELP! Free veterans support group at 10am every 4th Saturday of the month. The Landing 502 West Corner Fairland, Ok. For more information call Larry Boyd (918) 541-7592 or Cindy (918) 676-3228.

Food Truck Wednesdays —Every Wednesday, grab some tasty eats and gather on the grounds of Guthrie Green. During Food Truck Wednesdays, lunchtime transforms into a community-wide affair, with roaming food trucks posting up at this Tulsa park. While you dine on delicious food, be sure to enjoy the live music and fresh air. Guthrie Green 111 E Brady St Tulsa, OK 74103 Phone: 918-574-2421

Chelsea Dance and Jam Session—Every Friday Night 6:00 pm—9:00 pm—Bring a dish for potluck at 6:30 pm. Musicians are welcome. Civic Center 618 Pine street Chelsea, OK 74016

Big Cabin Senior Exercise Program—Fitness program for seniors held at the Big Cabin Baptist Church gym three times a week, Monday, Wednesday and Friday, from 10 to 11 a.m.

American Legion Post 178 in Grove, OK – Bingo every Saturday evening at 6pm. Family atmosphere. Contact Lee Cathy for any questions at: 901-487-9060

Jun 04, 2019 - Jun 08, 2019 - Tulsa Chautauqua: From Pizarro to Picasso - Hispanic Legacy in America Today - Go behind the scenes of history during Chautauqua in the Park. Held on the grounds of the Tulsa Historical Society & Museum, this thought-provoking program offers multiple days of workshops, living history events and nightly entertainment. Attend work-

SUDOKU PUZZLES

Fill in the grid with digits in such a manner that every row, every column and every 3X3 box accommodates the digits 1-9, without repeating any.

6				4		2	3
	3	9		1		7	
		2			3	9	4
8					4		
			7	5	9		
			3				7
9	8		5			2	
	4			8		6	3
2	1			9			8

Hardship level: Moderate

	8		2			9	3
				1	9		6
	5	3			4		
					3	6	
	5	4	7		1	3	2
		7	6				
			9		8	1	
	2		1	6			
	1	6			7		5

DATA MASTER: Nikki Hamilton
Solutions are printed in page 36

shops led by a different scholar in historical character, where you'll learn about a topic specific to a fascinating moment in history. Each night, a different scholar will give a presentation in character followed by a Q&A session from the audience, first in character, then as a scholar. Tulsa Historical Society & Museum 2445 S Peoria Ave Tulsa, OK 74114 Phone: 918-549-7492

Jun 06, 2019 - Family Fishing Clinic - Introduce the kids to the art of fishing at a free Family Fishing Clinic in Oklahoma. Held at Jenks Aquarium, this family-friendly fishing clinic at Zebco Casting Pond features the basics of the sport, starting with fish identification. Teach the kids how to tie knots, use equipment and cast lines from the Oklahoma Department of Wildlife Conservation experts. All bait, rods and lines will be provided during this free fishing event. Zebco Casting Pond 300 Aquarium Dr Jenks, OK 74037 Phone: 918-299-2334

Jun 06, 2019 - John Fullbright in Concert - Oklahoma musician John Fullbright returns to his home state for a concert at Cain's Ballroom in Tulsa. This local singer-songwriter has had a budding career with performances at SXSW in Austin, the Kerrville Folk Festival and inclusion on the soundtrack for "August: Osage County." See this Grammy Award-nominated Oklahoma performer live as he shares his repertoire of old soul songs with the sea of gathered fans at Cain's Ballroom in Tulsa. Cain's Ballroom 423 N Main St Tulsa, OK 74103 Phone: 918-584-2306

Jun 06, 2019 to Jun 09, 2019 - Tulsa Drillers vs Arkansas Travelers - Come experience the thrill of the game as the Tulsa Drillers go head to head with the Arkansas Travelers. The Drillers baseball games are held at the ONEOK Field, a state-of-the-art complex located in downtown Tulsa. Bring out the whole family, snap a picture with Hornsby the bull and cheer on the home team. ONEOK Field 201 N Elgin Ave Tulsa, OK 74120 Phone: 918-744-5901, 918-744-5998

Jun 06, 2019 - Jun 09, 2019 - Leake Collector Car Show & Auction - The Leake Auction Company will present their annual Tulsa auction in the River Spirit Expo at Expo Square. Doors open at 8am daily and more than 700 cars are anticipated to cross the two-ring auction block. The Leake Collector Car Show and Auction will feature a vast array of cars including Cadillacs, Corvettes, Camaros, Mustangs and other vintage, collector, muscle, high-performance and specialty vehicles. Visit the Leake Collector Car Show and Auction to admire timeless designs and beautiful restorations of vintage models, as well as modern cars. Tulsa Expo Square 4145 E 21st Tulsa, OK 74114 Phone: 918-254-7077

Jun 06, 2019 - Jun 08, 2019 - American Heritage Music Festival - Come to the American Heritage Music Festival and enjoy watching nationally sanctioned fiddle competitions on multiple stages. The festival's finale concert features winners in fiddle divisions, plus a full evening of great entertainment. This event is great for families, with jamming and family camping. Daytime events and competitions are held in the comfortable, air-conditioned Grove Civic Center. In addition to the competitions, special concert entertainment, after-concert jam sessions, vendor booths and great food can also be found during the festival weekend. Grove Civic Center & Snider's Camp 1702 S Main St Grove, OK 74344 Phone: 918-786-8896

Jun 07, 2019 - Jun 08, 2019 - Beats, Brews & BBQ - Savor delicious barbecue at Wagoner's annual Beats, Brews & BBQ. Held in downtown Wagoner, this event kicks off on Friday evening with live music, a local barbecue cook-off and a people's choice award, while Saturday features a professional cookoff, people's choice award and live music. Don't miss this KCBS-sanctioned barbecue cookoff this June. Downtown Wagoner, OK 74477 Phone: 918-577-1772

Jun 07, 2019 - Jun 08, 2019 - Fort Gibson Car, Truck & Motorcycle Show - Bring the whole family out to the annual Fort Gibson Car, Truck & Motorcycle Show for two action-packed days of fun. Activities start on Friday night at with a loud pipe contest and a burnout contest on Ross Street. On Saturday, admire mint-condition cars, trucks and motorcycles. Check out a variety of makes and models, from the golden years of the automobile to present day. Stick around to see if your favorite cars win top places in multiple categories. 108 W Poplar Fort Gibson, OK 74434 Phone: 918-478-4780

Jun 07, 2019 to Jun 09, 2019 - Terry Don West Bull Riding School - Learn the art of bull riding from a seasoned professional and world champion operating out of Henryetta. During three-day bull riding courses at Terry Don West Bull Riding School, PRCA World Champion Terry Don West will pass along priceless tips and bits of wisdom collected over his 25-year bull riding career. Aspiring bull riders can learn the basics, sharpen their skills and correct bad habits with the help of this Bull Riding Hall of Fame bull rider. 31965 Arbeka Rd Henryetta, OK 74437 Phone: 918-521-1068

Do You have an event that you would like to share ?
Community Links of Chelsea
1100 Walnut/PO Box 85
Chelsea, OK. 74016
Ph: 918-789-2862
Fax: 918-789-5296

DATA MASTER: Steven Burdick and Eric Peachey



Happy, Father's Day

FATHER'S
DAY

FUNNY
PATIENT
STRONG
HERO
RELIABLE
PROVIDER

A FATHER IS:

There in every memory
See his love and care
Strength and hands to count on
Freely he does spare
Provider, too so faithfully
To make our dreams come true
Give strong and tender discipline
Though it's hard to do
A father is God's chosen one
To lead the family
And point it to his will for life
of love and harmony...

FUNNY HOME
HANDS
STRONG
HAPPY
CLEVER
MAKVELLOUS

Hidden Pictures™

Future Astronaut

By Ron Lieser

Can you find these hidden objects?



mug



mushroom



wrench



pencil



trowel



lollipop



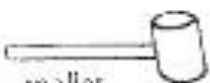
saltshaker



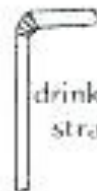
flashlight



baseball bat



mallet



drinking straw



ring



leaf



In this big picture, find the mug, wrench, trowel, saltshaker, baseball bat, mallet, ring, mushroom, pencil, lollipop, flashlight, drinking straw, and leaf.

Highlights

Copyright © 2010 by Highlights, Inc. All rights reserved. Highlights is a registered trademark of Highlights, Inc. All other trademarks are the property of their respective owners.

Crossword Puzzle

Crossword #Y25S65QH

1	2	3	4		5	6	7	8		9	10	11	12	13
14					15					16				
17					18					19				
20						21			22					
			23		24		25			26	27	28	29	
		30				31	32							
33	34			35					36					
37			38		39			40	41		42			
43				44			45			46		47		
48					49	50				51				
52									53					
				54			55	56		57		58	59	60
61	62	63	64			65			66					
67						68					69			
70						71					72			

Down

1. Italian bread?
2. Carrier to Ben-Gurion
3. Trompe l'___ (optical illusion)
4. 1980 Olivia Newton-John film
5. FDR's successor
6. Mixed odor?
7. Surrealist painter Joan
8. Protected, in a way
9. Flammable solvent
10. "Oh, I see"
11. Neighbor of Geo.
12. ___ deco
13. Ballad
18. Closes
22. Conned
24. Atty. titles
26. Suffix with pachy-
27. Woodwinds member
28. Chinese menu declaration
29. Precise
30. Starts
31. Mischievous one
32. Features of some locks
33. Culinary chopper
34. "Für ___" (Beethoven piece)
38. Jai ___ (game like handball)
40. Yes, in "Fargo"
41. Body of an organism
44. Witness
46. ___ Hall (New Jersey campus)
49. Ford model
50. Sent forth
51. The Sagebrush State
55. "Never ___ sentence with a preposition" (grammar rule)
56. About 6 trillion mi.
58. "A likely story"
59. Marlin or Met, for short
60. Counting-out rhyme start
61. Parliamentary vote
62. Wash rm.
63. Boxing stat
64. Peachy-keen
66. Corner key

Across

1. Martin Luther's excommunicator
5. TV port
9. Kind of chart
14. Intestine sections
15. "It's late, ___ going to bed"
16. Zoroastrian title for deities
17. Heavy shower
19. Birthday celebration
20. God, to Muslims
21. Ill-mannered
23. Payable on demand
25. Undercooked
30. Unconventional way to think
33. ___ of iniquity
35. Area meas.
36. Wonderful smell
37. Casablanca visitor
39. Does a vet's job
42. Odds and ends, briefly
43. Spanish sky
45. Its capital is Vientiane
47. Bilko's rank (abbr.)
48. Controlling group
52. Beats back
53. Noshed
54. '50s Ford flop
57. Sheepish, so to speak
61. Sacrifice site
65. Worse than precarious
67. Russian-American comedian Smirnoff
68. Ben & Jerry's rival
69. Savannah chef Paula
70. Summon, as a memory
71. Ste. Jeanne ___
72. "It's worth ___!"

Word Search Puzzle

Word Search Puzzle #N598BY

H Q U A Y S T O R M U M P S
F S D N E F E G N I H S I F
B A C F I L E D Y S V M N Y
C G I R N T M S W A U E F L
S R Y L E E S E L P P I R T
E E I L S A R P P P N E I S
H E B M S C M E G R A L N E
S Z G O E U R E E O I G G D
A D E I L P O V D P N G E O
L D N C D I A I G R O O M M
K I R O I H O H C I C G E E
C S E Z S T A P S A A Z N N
A C Q U A I N T S T R U T S
B S E V I T P E C E D G E R

Acquaints

Agree

Backlashes

Clump

Crews

Crime

Deceptive

Discs

Draconian

Edger

Enlarge

Fails

Fends

Filed

Fishing

Genre

Goggle

Graciously

Groom

Idles

Infringement

Lessen

Lobes

Misappropriate

Modestly

Mumps

Omens

Plied

Quays

Ripples

Rivers

Sassy

Screamed

Shape

Shaver

Spats

Spoil

Storm

Struts

Teacup

Teems

Upper

CryptoQuote Puzzle

Topic: Driving

Solution is on page 34

Logic Puzzle

Quotes From Thinkers Around The World

There is nothing noble in being superior to your fellow man; true nobility is being superior to your former self.
Ernest Hemingway

The best way to find out if you can trust somebody is to trust them.
Ernest Hemingway

Yesterday I was clever, so I wanted to change the world. Today I am wise, so I am changing myself.
Rumi

One makes mistakes; that is life. But it is never a mistake to have loved.
Romain Rolland

It is the artist's business to create sunshine when the sun fails.
Romain Rolland

I know at last what distinguishes man from animals; financial worries.
Romain Rolland

I find war detestable but those who praise it without participating in it even more so.
Romain Rolland

In the book of life every page has two sides: we human beings fill the upper side with our plans, hopes and wishes, but providence writes on the other side, and what it ordains is seldom our goal.
Nizami Ganjavi

He who searches for his beloved is not afraid of the world.
Nizami Ganjavi

If the eye of the heart is open, in each atom there will be one hundred secrets
Farid al-Din Attar

Let love lead your soul. Make it a place to retire to, a kind of monastery cave, a retreat for the deepest core of your being.
Farid al-Din Attar

When the path ignites a soul, there's no remaining in place. The foot touches ground, but not for long.
Sanai

While reason is still tracking down the secret, you end your quest on the open field of love.
Sanai

As long as you cling to your self, you will wander right and left, day and night, for thousands of years; and when, after all that effort, you finally open your eyes, you will see your self, through inherent defects, wandering round itself like the ox in a mill; but, if, once freed of your self, you finally get down to work, this door will open to you within two minutes.
Sanai

Time is just an illusion. What you need is to live this very moment. That is all that matters.
Elif Safak

Every true love and friendship is a story of unexpected transformation. If we are the same person before and after we loved, that means we haven't loved enough.
Elif Safak

Stop running after the waves. Let the sea come to you.
Elif Safak

A life without love is of no account. Don't ask yourself what kind of love you should seek, spiritual or material, divine or mundane, Eastern or Western. Divisions only lead to more divisions. Love has no labels, no definitions. It is what it is, pure and simple. "Love is the water of life. And a lover is a soul of fire! "The universe turns differently when fire loves water.
Elif Safak

O God! if I worship Thee in fear of Hell, burn me in Hell; and if I worship Thee in hope of Paradise, exclude me from Paradise; but if I worship Thee for Thine own sake, withhold not thine everlasting beauty.
Rabia Basri

The real work is in the Heart: Wake up your Heart! Because when the heart is completely awake, Then it needs no Friend.
Rabia Basri

Your prayers are your light;
Your devotion is your strength;
Sleep is the enemy of both.
Your life is the only opportunity that life can give you.
If you ignore it, if you waste it,
You will only turn to dust.
Rabia Basri

Some Riddles

How Did the Woman Die?

British Police inspects a room where there are no windows, no doors, no tables and is almost empty except there is just a puddle of water. They found a dead woman who obviously hung herself from the ceiling, but they are not able to figure out how this had happened.

Sherlock and John Watson entered the crime scene and easily able to solve the case.

How did the women die?

Sherlock Holmes Murder Mystery Riddle

Sherlock breaks into a crime scene. The victim is the owner who is slumped dead on a chair and have a bullet hole in his head. A gun lies on the floor and a cassette recorder is found on the table. On pressing the play button, Sherlock hears the message 'I have committed sins in my life and now I offer my soul to the great Lord' and followed a gunshot Sherlock smiles and informed the police that's its a murder.

Why did he think so?

Crime Scene Logic Puzzle

A dead body is found outside a multistory multinational company. The case is reported and a homicide detective is called on the crime scene.

He looks at the body and then towards the building. From the position of the body, it is evident that the victim committed suicide. He goes to the first floor of the building and then walks in the direction of the dead body, opens the window and toss a coin in the air.

He goes to second floor and again repeats the process. He keeps doing this till he is done on all the floors. Then he returns back to the floor and tells his team that it is a murder.

How in heaven did he deduce that?

Detective Puzzle

There are five people. One of them shot and killed one of the other five.

We know following clues:

1. Dan ran in the NY City Marathon yesterday with one of the innocent men.
2. Mike consider being a farmer before he moved to the city.
3. Jeff is a top notch computer consultant and wants to install Ben new computer next week.

4. The murderer had his leg amputated last month.
5. Ben met Jack for the first time six months ago.
6. Jack has been in seclusion since the crime.
7. Dan used to drink heavily.
8. Ben and Jeff built their last computers together.
9. The murderer is Jack brother. They grew up together in Seattle.

Consider yourself to be a famous detective "Sherlock Homles", Can you find the killer?

Sherlock Holmes Cipher Puzzle

Sherlock, A detective who was mere days from cracking an international smuggling ring has suddenly gone missing. While inspecting his last-known location, you find a note:

710 57735 34 5508 51 7718

Currently, there are 3 suspects: Bill, John, and Todd. Can you break the detective's code and find the criminal's name?

Who Is The Killer Puzzle

Tarun Asthaniya is found dead in his office at his desk. The police have narrowed the suspects down to three people: Mrs. Harish Kumar, Taruns wife Himanshi Asthaniya and his buisness partner Mr. Jason Negi . All three visited Tarun on the day of his murder, but all three provide the police with stories of explanation as to the reason for their visit.

Police found Mr. tarun with his wrist watch still on his right arm, a torn up picture of his wife laying on the floor beside the trash can, and an ink pen in his right hand. On the desk, the police found a name plate, a telephone that was off the hook, and a personal calendar turned to the July 5th page with 7B91011 written on it. After examining this evidence, the police knew their suspect. Who was it ?



Answers to Riddles

DATA MASTER: Nikki Hamilton

How Did the Woman Die?

She hung herself using big Ice slabs, which are now melted and hence puddle of water.

Sherlock Holmes Murder Mystery Riddle

How can a dead person rewind back the tape himself?

Crime Scene Logic Puzzle

He was able to deduce that after noticing that all the windows in the direction of the body on all the floors were closed. If the man had committed suicide, one window must have been left open.

Detective Puzzle

Jeff Killed Mike

1. Jack is not the murderer because he is the brother of the murderer.
2. Dan can't be the murderer since he ran a marathon, and the murderer recently had his leg amputated, and wouldn't be running a marathon of any magnitude that quickly.
3. Ben is not the murderer if he just met Jack since Jack and the murderer grew up together.
4. This leaves Jeff and Mike.

Since Jeff is still alive (he wants to install a new computer next week, present tense) he must be the murderer. Mike also didn't grow up with Jack. It has been determined that Jack, Dan, and Jeff are all alive. Ben must also be alive since Jeff plans to install Ben computer next week. This means that Jeff killed Mike.

Sherlock Holmes Cipher Puzzle

Bill. If you read the message upside down, you'll notice that the numbers resemble letters and that those letters form legible sentences. The message is 'Bill is boss. He sells oil.'

Who Is The Killer Puzzle

Jason Negi

the number on the calendar was written in a hurry , police matched the written number with the months of the year. So the B was an 8, thereby giving us 7-8-9-10-11: July, August, September, October, November. Use the first letter of each month and it spells J-A-S-O-N.

\$1390	\$1090	\$980	\$920
Henry	Giovanni	Annika	Casey
Ramipril	Benazepril	Fosinopril	Lisinopril
Jim Carey	Al Pacino	Morgan Freeman	Russell Crowe

Logic Puzzle Solution



Library News

CATOOSA PUBLIC LIBRARY

105 E. Oak (918) 266-1684

Hours:

Monday thru Thursday: 9am to 7pm
Friday: 9am to 12pm & 1pm to 3pm
Saturday: 10am to 2pm
Closed Sunday

CHELSEA PUBLIC LIBRARY

618 Pine (918) 789-3364

Hours:

Tuesday: 10:00am to 7:00pm
Wednesday, Thursday & Friday: 10:00am to 4:00pm
Saturday: 9:00am to Noon Closed Sunday & Monday

CHOUTEAU PUBLIC LIBRARY

PO BOX 353, 111 N McCracken Phone: 918-476-4445

Hours:

Mon, Wed, Fri – 10AM to 5PM
Tues, Thur. – 10AM to 3PM
Closed Saturday & Sunday

DELAWARE COUNTY LIBRARY

429 S. 9th St. Jay, Oklahoma (918) 253-8521

Web: www.eodls.lib.ok.us/jay.html

Hours:

Mon., Wed., & Fri. 9:00am to 6:00pm
Tues. & Thurs 9:00am to 8:00pm
Sat. 9:00am to 1:00pm
Closed Sundays and Holidays

GROVE PUBLIC LIBRARY

1140 NEO Loop (918) 786-2945

Toll free in the 918 area code: 1-888-291-8150

Fax: (918) 786-5233

Hours:

Mon., Wed., & Fri.: 8:30am-5:00pm
Tues. & Thurs.: 8:30am-9:00pm
Sat. 8:00am-12:00pm
Closed Sunday



LANGLEY PUBLIC LIBRARY

325 W Osage Ave. (918) 782-4461

Hours:

Mon.-. 1:00pm to 7:00pm
Tue.-Fri. 9:00am to 12:00pm
And 1:00pm to 5:00pm
Closed Sat. & Sun.

MIAMI PUBLIC LIBRARY

200 N. Main (918) 541-2292

Hours:

Sun. 1:00pm
Mon., Wed., Thurs., 9:00am to 8:00pm
Tues., Fri., Sat., 9:00am to 5:00pm

NOWATA CITY-COUNTY LIBRARY

224 S. Pine (918)273-3363 Fax: (918)273-1818

Hours: Mon-Fri 10^{am} -6^{pm}; Sat 9^{am}-12^{pm}

PRYOR PUBLIC LIBRARY

505 E. Graham, Pryor 918-825-0777

Hours:

Monday & Thursday: 1:00 PM-9:00 PM
Tuesday, Wednesday & Friday:9:00AM-5:00PM

SALINA PUBLIC LIBRARY

420 E. Ferry St. (918) 434-8001

Hours: Tue. 12pm-7pm, Wed. 12pm-5pm,
Thurs. & Fri. 10am-5pm
Closed Saturday, Sunday & Monday

TALALA AREA PUBLIC LIBRARY

106 W Watova St. (918) 275-4540

Hours:

Monday - Friday 2pm to 5pm
Monday and Thursday evening 6pm to 9pm
Saturday 11am to 2pm

VINITA PUBLIC LIBRARY

215 W. Illinois (918) 256-2115

Hours:

Mon., Tues., Wed., & Fri. 11:00am to 6:00pm
Thurs. 11:00am to 7:00pm
Sat. 11:00am to 3:00pm
Closed Sunday

WILL ROGERS LIBRARY

1515 N. Florence, Claremore OK (918) 341-1564

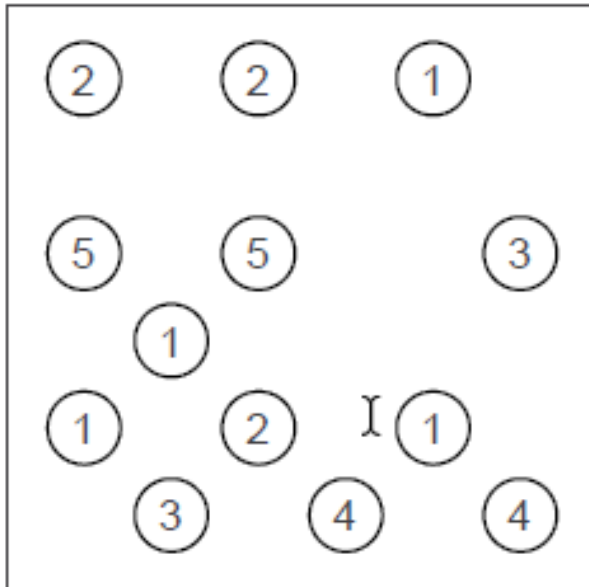
Hours:

Mon & Tues. 9:30am to 8:00pm
Wed. & Thurs. 9:30am to 6:00pm
Fri. & Sat. 9:30am to 5:00pm

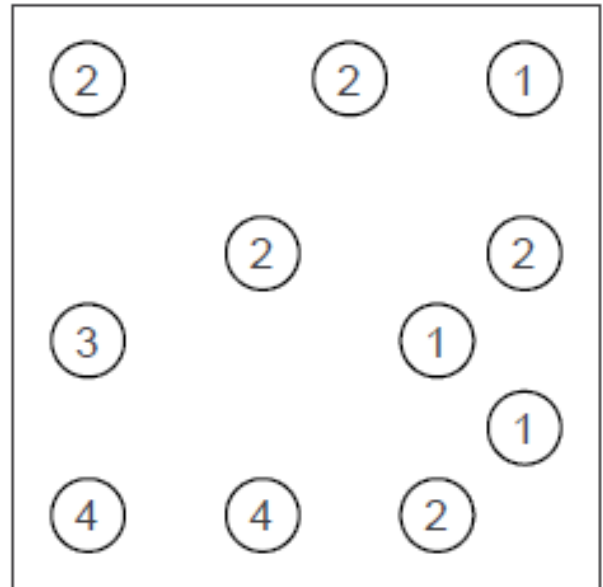
Build Bridges Puzzles

6 BY 6 BUILD BRIDGES (No. 1 TO 4)

CONNECT ALL ISLANDS INTO A SINGLE GROUP BY DRAWING HORIZONTAL OR VERTICAL LINES (BRIDGES). YOU CAN DRAW A SINGLE OR DOUBLE LINE BETWEEN EACH ISLAND (NOT MORE). THE TOTAL NUMBER OF BRIDGES THAT CONNECT AN ISLAND MATCHES THE NUMBER ON IT. THE BRIDGES MAY NOT CROSS EACH OTHER.

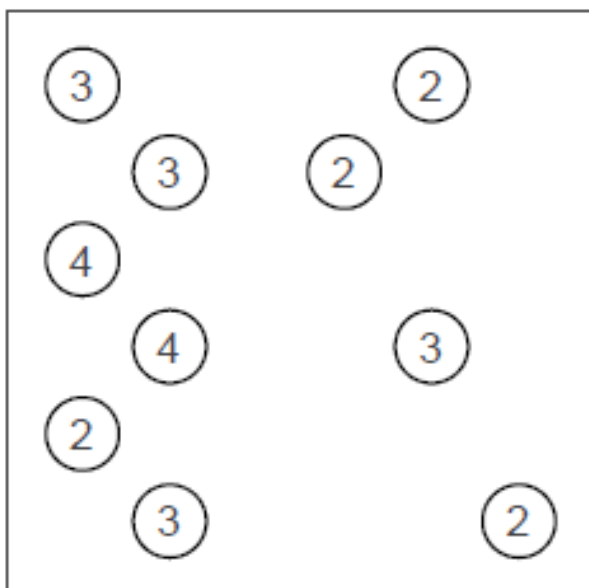


0606 BUILD BRIDGES 1

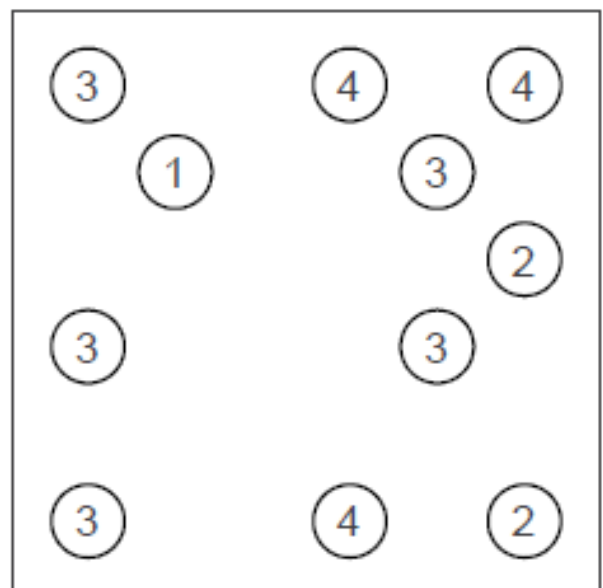


0606 BUILD BRIDGES 2

Solutions on page 34



0606 BUILD BRIDGES 3



0606 BUILD BRIDGES 4

THE LITTLE GREEN SHOP

301 E. Layton Chelsea, OK.



Across From Harp's

918 - 789 - 3676



FISHING EQUIPMENT & SUPPLIES
MINNOWS * NIGHT CRAWLERS
SHRIMP * CHICKEN LIVER
CUT SHAD * RABBIT LIVER
WHOLE SHAD & MORE
DRINKS, SNACKS

Route 66 items for sale
6 POUND BAG OF ICE \$1.50
20 POUND BAG OF ICE \$3.75

A Good Community To Live In!

CHELSEA TERRACE

FOR MORE INFORMATION CONTACT OUR

Rental Office at (918) 789-5200

302 Charlotte Street, Chelsea, OK.

\$200.00 DEPOSIT

\$450 1 bedroom ~ \$500 2 bedroom

ground floor/ handicap accessible

washer/dryer hookup

Paid: water, sewer, garbage, & lawn care

Provided: refrigerator, stove

3 Bedroom House with One Car Garage

1101 square feet

\$590.00 monthly ~ \$350.00 deposit ~ washer/dryer hookups ~ Provided: refrigerator, stove

An Equal Housing Opportunity

SECTION 8 HOUSING VOUCHERS ACCEPTED

Community Links Of Chelsea

1100 Walnut

Chelsea, OK 74016

Ph: (918) 789-2862

Fax (918) 789-5296

Email:

commuitylinks1999@yahoo.com

Please give us feedback at:

<http://links.qitg.net>

Printing: Business Cards, Letterheads – Flat or raised print available. Brochures, Business Forms, and Personalized greeting cards.

Advertising: Links Newsletter, Bi-Monthly distributed by persons with developmental disabilities, Connecting Communities at an affordable rate.

Office Supplies: Self Inking Stamps, Paper products, Toner Cartridges, Printer Cartridges. If we don't have it in stock we will order for you. Most orders complete in 3 days

Welcome to Mayes County!

For over 70 years, Mayes County Propane has been providing quality service to customers in Pryor, OK and the surrounding areas. We are the preferred propane supplier to residential, commercial and agricultural customers in our area.



MAYES COUNTY PROPANE

4665 West Hwy 20 • Pryor, OK 74361

For propane services you can trust and rely on, contact Mayes County Propane today! We look forward to the opportunity to serve all of your propane needs.

Phone 918-825-2433
Toll Free 1-800-722-2669

www.propanemcp.com
propanemc@yahoo.com

compassionate about care.
PASSIONATE ABOUT LIFE.



GSH
GOOD SHEPHERD HOSPICE

Free Medicare Benefit

We believe that care during a terminal illness is more than just a diagnosis and treatment.

It's a daily exercise in making this moment, this day... the very best it can be.

918.786.6182

800.787.2226

www.goodshepherdhospices.com



Licensed • Bonded • Insured

Commercial * Residential * Industrial
Service * Remodel * New Construction
Licensed * Bonded * Insured

918-825-3000
1204 SW 1st * Pryor, OK 74361

BIBLE BOOKSTORE & BOOK EXCHANGE
25 YEARS SERVING NORTHEAST OKLAHOMA

CHRIS HARDY
OWNER

3 NORTH ADAIR ST.
PRYOR CREEK, OKLAHOMA 74361

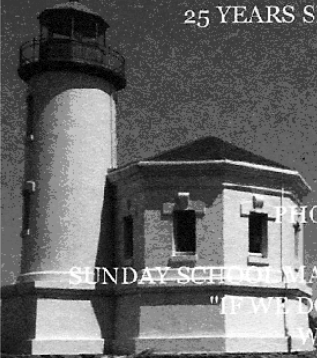
PHONE 918 825 6015 FAX 918 825 6974

BIBLES, NEW AND USED BOOKS

SUNDAY SCHOOL MATERIALS, SOUNDTRACKS, MUSIC

"IF WE DON'T HAVE IT, WE'LL ORDER IT!!!"

WWW.PRYORBOOKEXCHANGE.COM

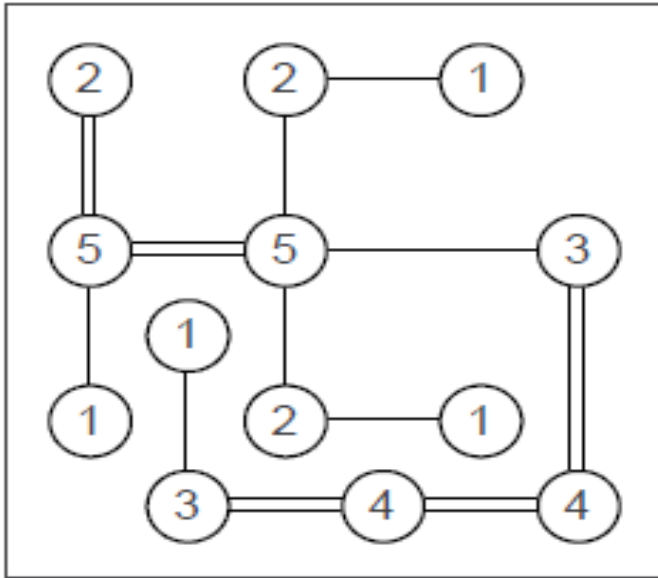


CryptoQuote Puzzle Solution

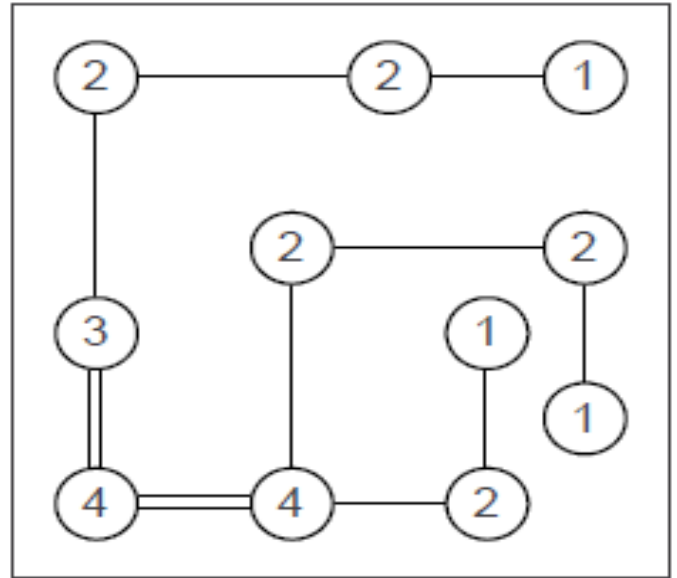
"The problem with the designated driver program, it's not a desirable job. But if you ever get sucked into doing it, have fun with it. At the end of the night, drop them off at the wrong house."

- Jeff Foxworthy

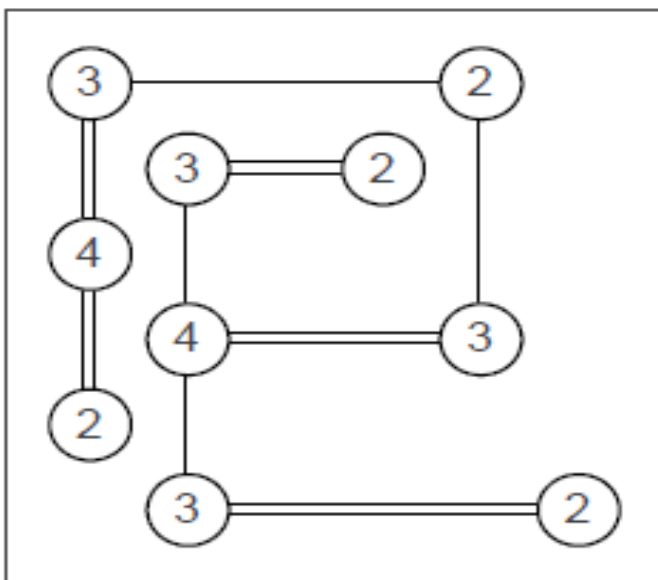
Build Bridges Puzzles Solutions



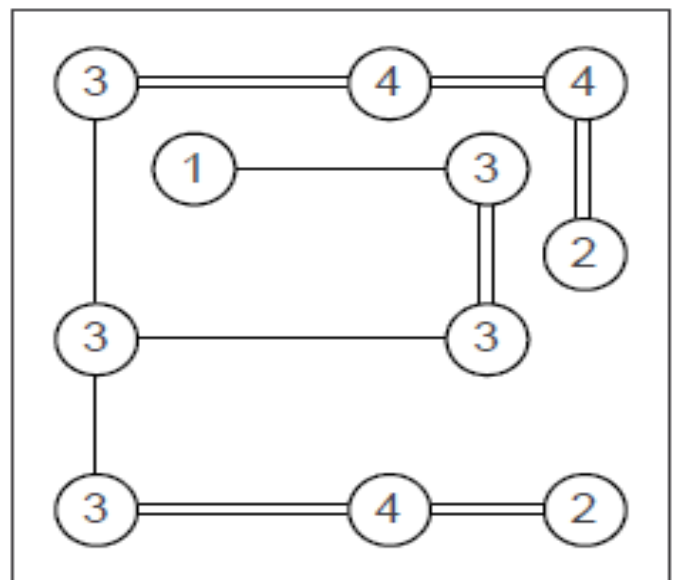
0606 BUILD BRIDGES 1



0606 BUILD BRIDGES 2

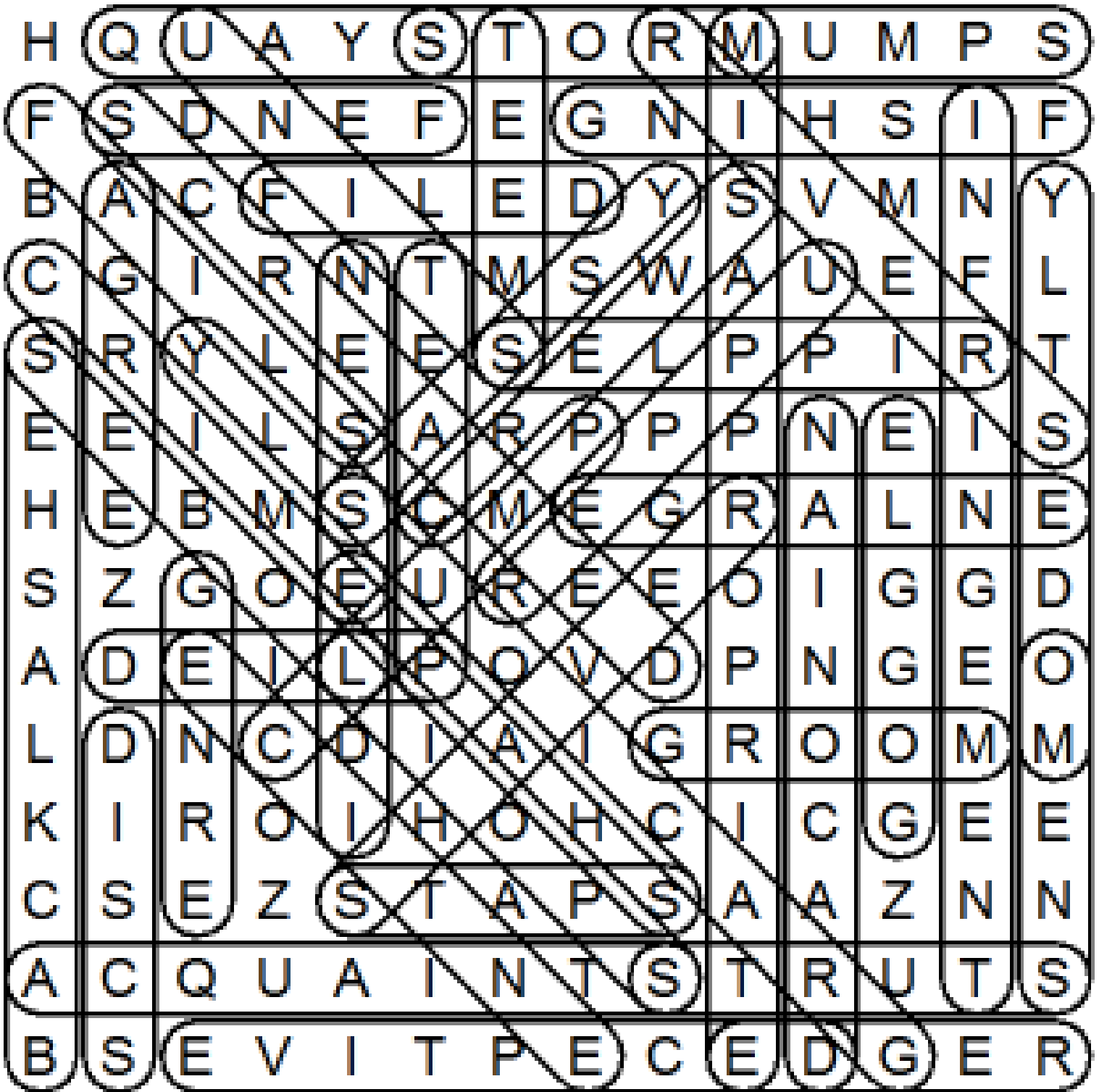


0606 BUILD BRIDGES 3



0606 BUILD BRIDGES 4

Word Search Puzzle Solution



DATA MASTER: Eric Peachey & Steven Burdick

HERE TO HELP YOU GROW
a brighter financial future

 Lakeside State Bank

"Big enough to serve you, small enough to know you."



CHELSEA | 516 Walnut | 918.789.2581 | OOLOGAH | 6695 E. 400 Rd. | 918.443.2474 | www.lakesidebankok.com

Sudoku Puzzle Easy Solution

6	7	8	9	4	5	1	2	3
4	3	9	8	1	2	5	7	6
1	5	2	6	7	3	8	9	4
8	9	7	1	2	4	3	6	5
3	6	1	7	5	9	4	8	2
5	2	4	3	6	8	9	1	7
9	8	6	5	3	7	2	4	1
7	4	5	2	8	1	6	3	9
2	1	3	4	9	6	7	5	8

Sudoku Puzzle Moderate Solution

7	8	1	2	5	6	9	3	4
3	4	2	8	1	9	5	6	7
9	6	5	3	7	4	8	1	2
2	9	8	5	4	3	6	7	1
6	5	4	7	9	1	3	2	8
1	3	7	6	8	2	4	9	5
5	7	3	9	2	8	1	4	6
4	2	9	1	6	5	7	8	3
8	1	6	4	3	7	2	5	9

DATA MASTER: Nikki Hamilton

Crossword Puzzle Solution

1	L	2	E	3	O	4	X		5	H	6	D	7	M	8	I		9	N	10	A	11	T	12	A	13	L
14	I	L	E	A		15	S	O	I	M		16	A	H	U	R	A										
17	R	A	I	N	18	S	T	O	R	M		19	P	A	R	T	Y										
20	A	L	L	A	H		21	R	O	U	G	H															
			23	D	24	U	E		25	N	O	T	26	D	27	O	28	N	29	E							
		30	O	U	T	S	31	I	32	D	E	T	H	E	B	O	X										
33	D	34	E	N		35	S	Q	M	I		36	A	R	O	M	A										
37	I	L	S	A		38	S	P	A	39	Y	S		40	M	41	I	42	S	C							
43	C	I	E	L	44	O			45	L	A	O	46	S		47	S	G	T								
48	E	S	T	A	B	49	L	50	I	S	H	M	E	N	T												
52	R	E	S	I	S	T	S			53	A	T	E														
				54	E	D	S	55	E	56	L		57	O	V	58	I	59	N	60	E						
61	A	62	L	63	T	64	A	R		65	U	N	T	66	E	N	A	B	L	E							
67	Y	A	K	O	V				68	E	D	Y	S		69	D	E	E	N								
70	E	V	O	K	E				71	D	A	R	C		72	A	T	R	Y								

DATA MASTER: Eric Peachey and Steven Burdick

**We would like to
thank the following
Businesses for
distributing LINKS**

Adair

Casey's General Store
Woodshed

Afton

Afton City Hall
Evans Roofing

Big Cabin

Big Cabin Senior Citizens

Chelsea

Bank of Commerce
Chelsea Family Pharmacy
Chelsea Library
Chelsea Post Office
Chelsea Sr. Citizens
Chelsea Terrace
Community Links
Dollar General
Harp's Grocery
Jiffy Mart
Lakeside State Bank
Little Green Shop
Main Street Diner

Chouteau

Cherry's Chouteau Mall
Chouteau Public Library &
Senior Citizens Center
Dutch Pantry
Marvin's Grocery
Pizza Corral

Claremore

Bill's Sporting Goods
Brook Field Nursing Home
Claremore DHS
Claremore Nursing Home
Claremore Senior Citizen's
Claremore Veteran's Center
Fried Pie LLC
Midco Clothes & More
Stillwater Milling
Warehouse Market
Emerald Care Center

Cleora

Misty's Salon

Commerce

Eastwood Manor

Fairland

Fairland Sr. Citizen's
Fran's Flea Market

Grove

Eagles Landing
Drakes
Grand Prosthetics & Artificial
Limbs
Grandwood
Mr. M's Convenience Store
Grove Sr. Citizens
Harps Grocery
Tom Cat Corner

Jay

Sinclair Station
Delaware County Library
Jay Senior Citizen's

Ketchum

Buddy's Foods

Langley

4 State Insurance
Langley Drug
Reasor's Grocery Store
Langley Western Store

Miami

Marvin's Grocery
Windridge
Wal-Mart Supercenter

Nowata

D&L's
Homeland
Nowata Depot Café
Nowata Senior Citizens Cen-
ter
Ranch Supply
Reid's Discount Pharmacy

Oologah

Pump - N - Petes #15
Tacora Mart (Conoco)

Pryor

Innovations in Hair
Mayes Co. Nutritional Center
Wilkerson Real Estate
Pryor Library
Shady Rest Nursing Home
Paulie's Donuts
The Book Exchange

Spavinaw

T-General Store

Vinita

Burrough Manor
Carter's IGA
Grand Lake Mental Health
Heartsworth House
Midco Clothes & More
Sam's Tire
Veterans Clinic
Vinita Sr. Center
Vinita DHS
Vinita Post Office
Wood Shed
Young's Tire

Welch

Happy Cow
Welch State Bank

White Oak

The Rancher Convenience/
Deli

Winganon

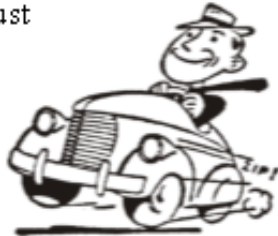
Winganon Bait Shop

Vinita Muffler & Radiator

Steven Smith - MD/DHT
"Over 90 years Experience"

**Fast, Professional Work
the First Time!**

- Cat-Back Dual Exhaust
- Catalytic Converter Service
- Gas Tank Cleaned,
- Repaired, Lined & Coated
- Radiators - Plastic or Brass



(918) 256-6969

**502 N. Wilson
Vinita, OK 74301**

We can mail current or past issues to you for \$2.00 per issue. To receive every issue by mail we offer two subscriptions:
6 months subscription for \$24.00
Full year subscription for \$48.00

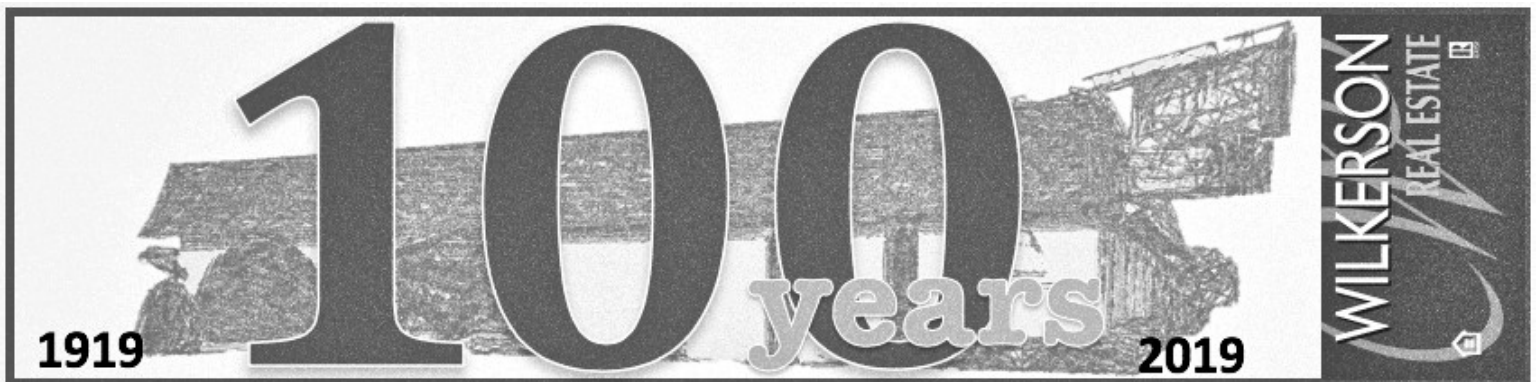
LINKS

Information

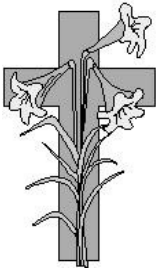
The Links Paper comes out twice a month, the 5th and the 20th of every month. We offer many different advertising options and have competitive pricing. Should you be interested in placing an ad with us you can contact us at the phone number or the email provided below.

Deadlines for ad submission:
5th issue: 25th of previous month
20th issue: 10th of the same month

**Community Links of Chelsea
1100 Walnut
Chelsea, OK 74016
communitylinks1999@yahoo.com
(918) 789-2862
Open:
Monday –Friday 8am to 4:00pm**



Contents of this newspaper is compiled from available original sources.



JEWELS FROM THE WORD

SHIP COMING UP BULL CREEK

The home where I grew up was across the alley from Bull Creek. Bull Creek was very shallow and lazy creek, so no boats ever floated our section of the creek. Never one time in my life did I see a boat on Bull Creek. Even if someone had tried to float a boat on the creek, they wouldn't have been able to float under the low bridge on Tahlequah Street.

That's what made the saying so strange, "When our ship comes in..."

I often wondered when I was a child what it really meant when someone said, "When our ship comes in." Oh, I knew it meant that they expected the ship to bring their fortune, to bring them money, but how or why, I didn't know.

Then in history classes I learned about the early settlers of America and how they depended on ships from England to bring them supplies, so I figured it out, that's what it meant when they said, "when our ship comes in." The early-day settlers had to carefully watch what they used and use things from nature in their new home in America to make-do until the next ship came from England with

supplies from home.

Mama would even make a joke about it, "Our ship couldn't make it up Bull Creek." The absurdity of that idea of an ocean vessel trying to come up Bull Creek would make us all laugh.

Mama taught us all to work hard. We all had to work in the garden out behind our house, which was the biggest one on the block, and yielded the best green beans, corn, tomatoes, beets, all canned into Mason jars to feed us kids during the winter.

She taught us to give to the church, to give to others who were in need, and help out our neighbors and friends when they needed a hand. Mama also taught us to believe in God to supply our needs and not some make-believe ship coming in.

King David said, "I have been young, and now am old; Yet I have not seen the righteous forsaken, Nor his descendants begging bread." Psalm 37:25.

DATA MASTER: Karen Deffenbaugh

Lavon Hightower Lewis To read more devotions, go to:

<http://jewelsfromtheword.com/> Email me at llewis2138@sbcglobal.net



- Auto & Truck Loans
- Home Loans
- Business Loans
- Checking, Savings & CD's
- All of your Banking Needs!

THE BANK OF COMMERCE

789-2567

..... *Your Bank in Chelsea.....*



MEMBER FDIC



EQUAL HOUSING

LENDER